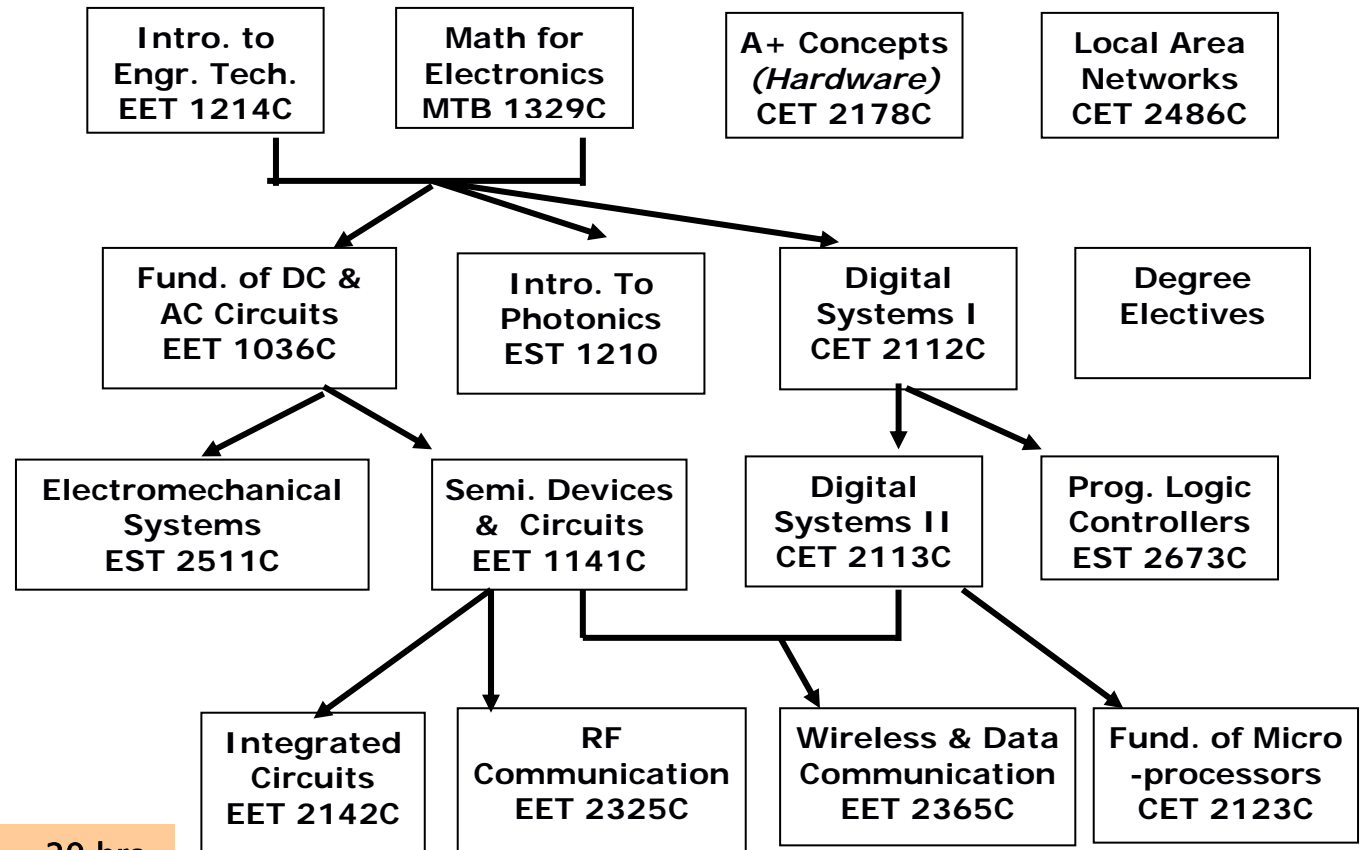


Division of Architecture, Engineering, and Technology

Electronics Engineering Technology Program

Electronics Specialization



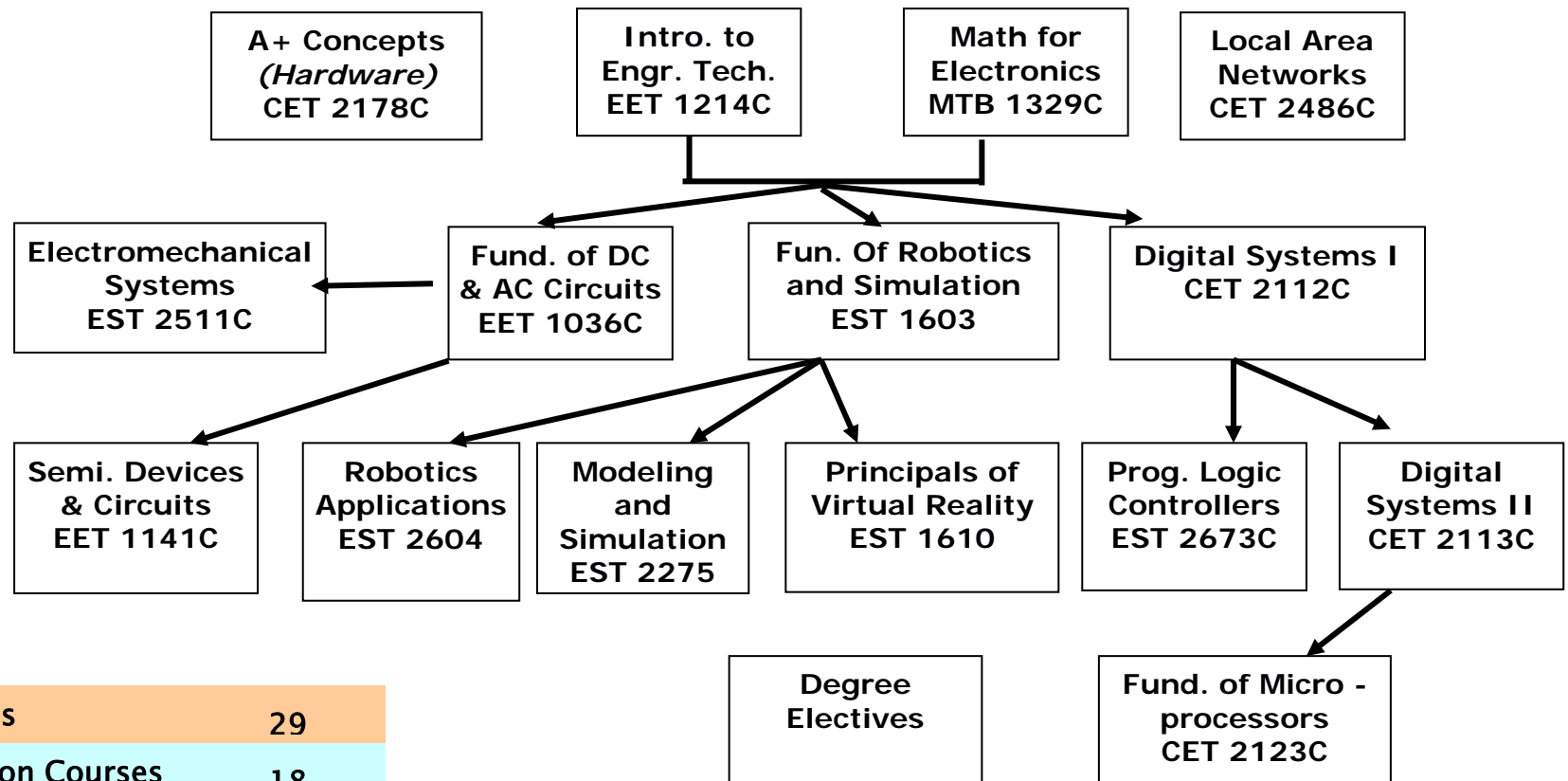
Core Courses	29 hrs
Upper Division Courses	18 hrs
Degree Electives Courses	6 hrs
General Education Courses	15 hrs
TOTAL	68 hrs

See your program advisor for the general education requirements

Division of Architecture, Engineering, and Technology

Electronics Engineering Technology Program

Robotics and Simulation Specialization



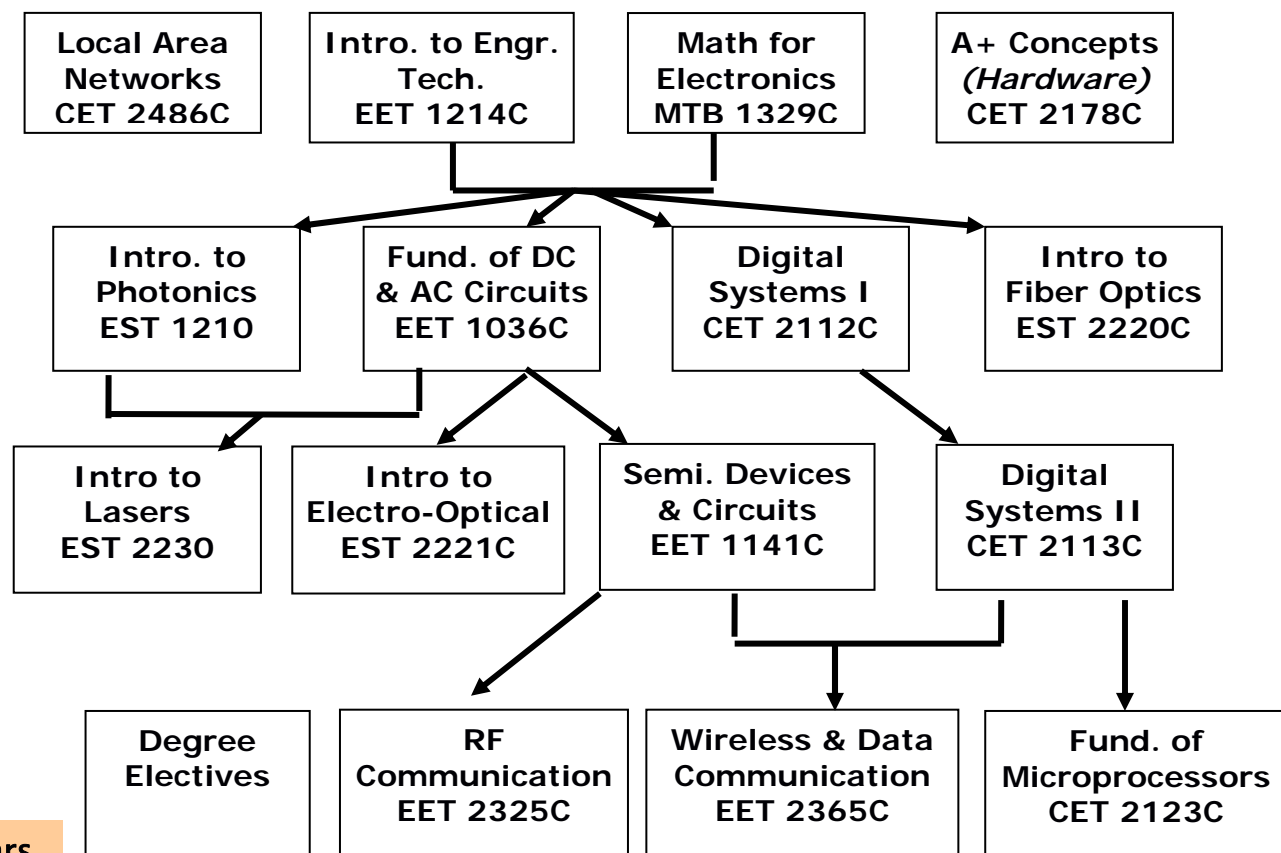
Core Courses	29
Upper Division Courses	18
Degree Electives Courses	6
General Education Courses	15
TOTAL	68 hrs

See your program advisor for the general education requirements

Division of Architecture, Engineering, and Technology

Electronics Engineering Technology Program

Laser and Photonics Specialization



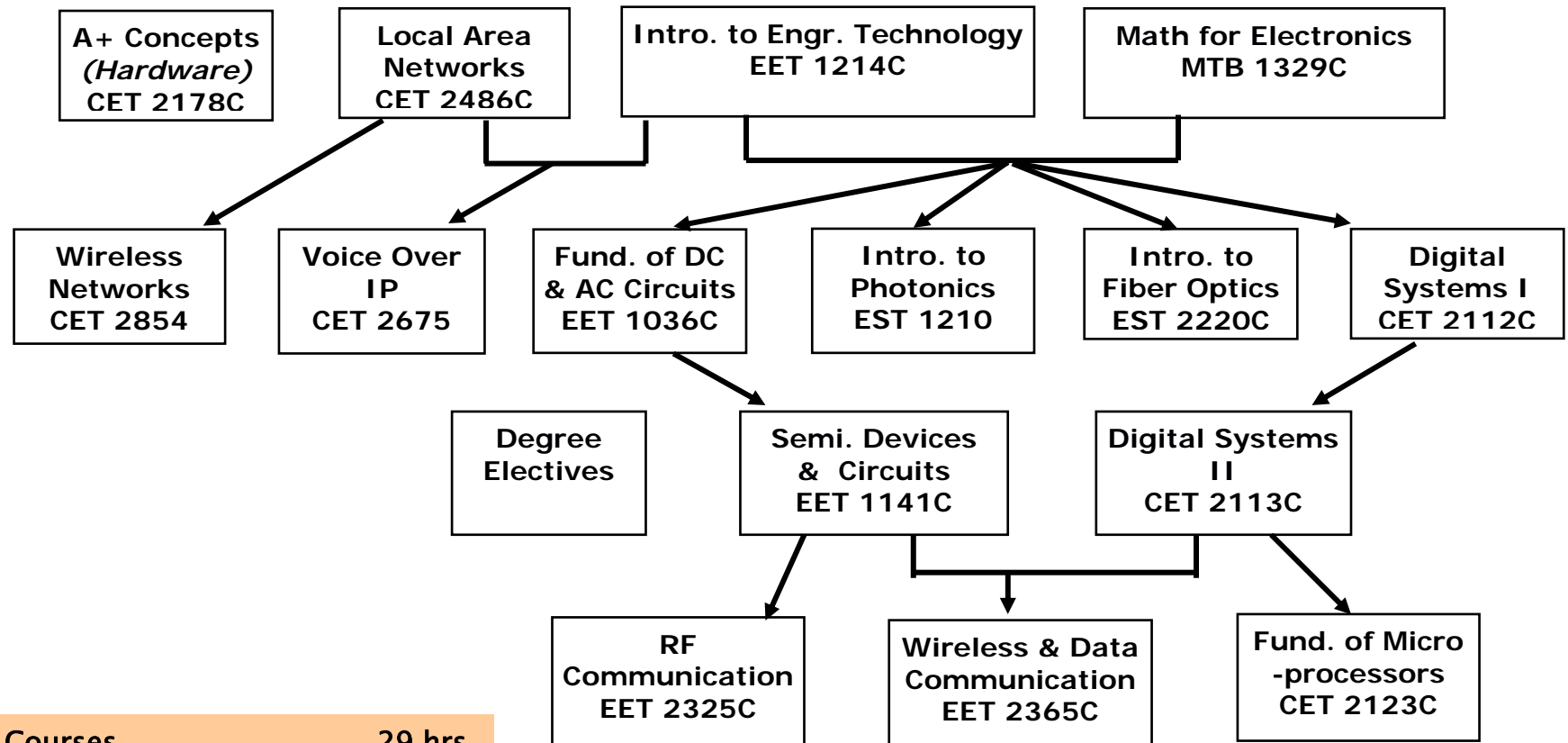
Core Courses	29 hrs
Upper Division Courses	18 hrs
Degree Electives Courses	6 hrs
General Education Courses	15 hrs
TOTAL	68 hrs

See your program advisor for the general education requirements

Division of Architecture, Engineering, and Technology

Electronics Engineering Technology Program

Telecommunication and Wireless Specialization



Core Courses	29 hrs
Upper Division Courses	19 hrs
Degree Electives Courses	5 hrs
General Education Courses	15 hrs
TOTAL	68 hrs

See your program advisor for the general education requirements